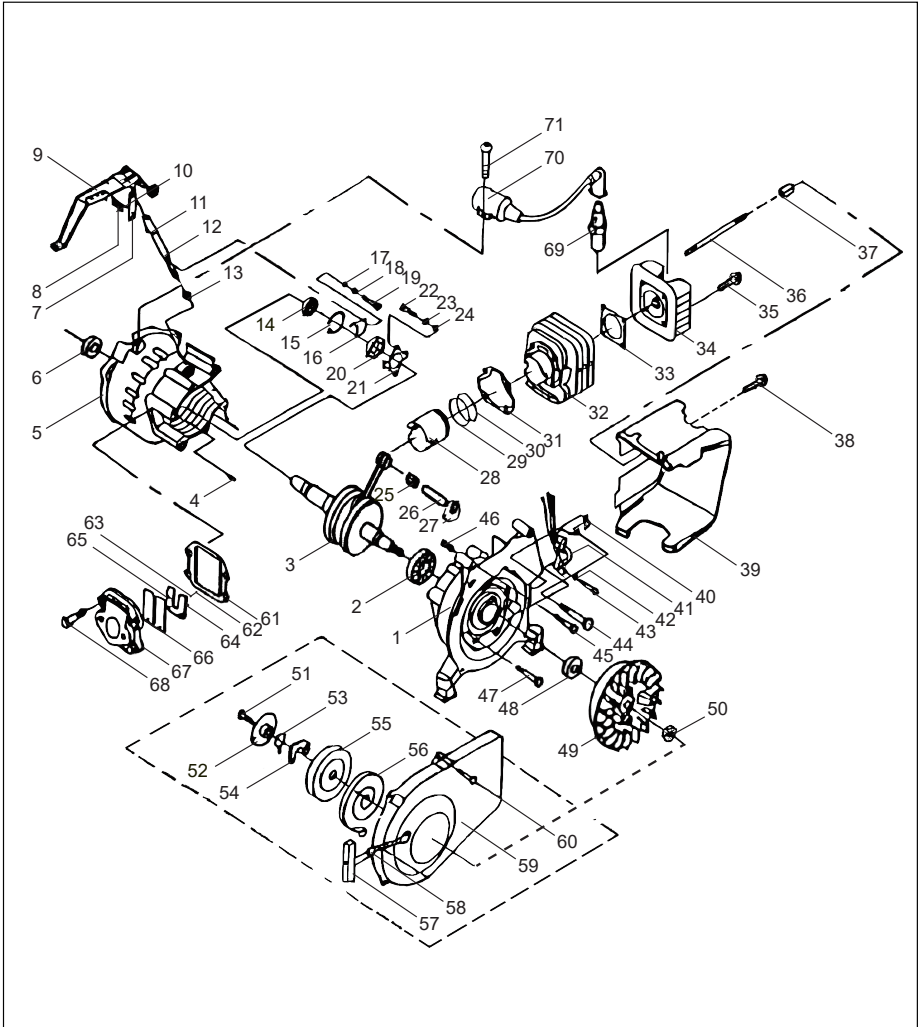


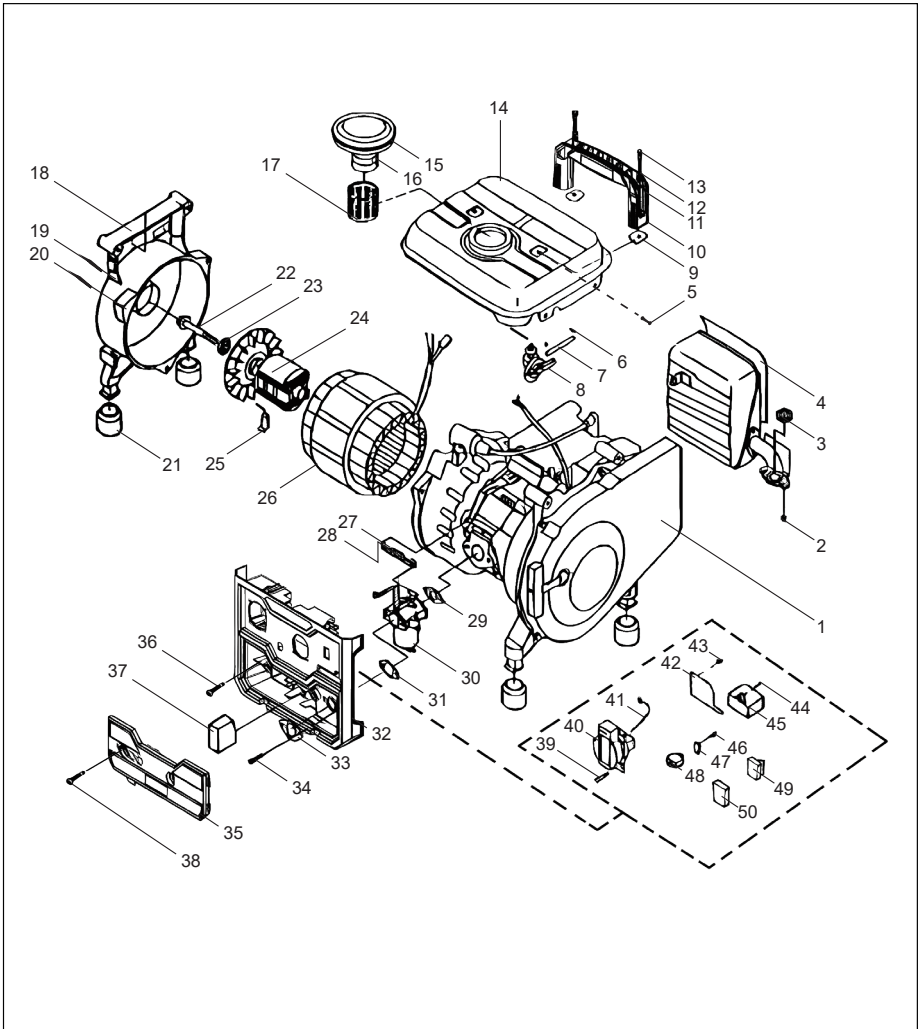
EXPLOSIVE VIEW OF WD060310800



ENGINE PART LIST OF WD060310800

NO	DESCRIPTION	Q'TY	NO	DESCRIPTION	Q'TY
1	Crankcase	1	37	Nut	2
2	Bearing	2	38	Screw	2
3	Crankshaft	1	39	Air shroud	1
4	Dowel pin	2	40	Clamp	1
5	Crankcase	1	41	Coil assembly	1
6	Oil seal	1	42	Spring washer	2
7	Throttle adjustment plate	1	43	Screw	2
8	Governing spring	1	44	Screw	2
9	Governor arm	1	45	Screw	1
10	Nut	1	46	Spring	1
11	Circlip	1	47	Screw	2
12	Governor shaft	1	48	Oil seal	1
13	Oil seal	1	49	Flywheel	1
14	Bearing	1	50	Flywheel nut	1
15	Circlip	1	51	Screw	1
16	Governor fork	1	52	Friction plate	1
17	Washer	2	53	Circlip	1
18	Spring washer	2	54	Ratchet	1
19	Screw	2	55	Reel	1
20	Collar	1	56	Spiral spring	1
21	Flyweight assembly	1	57	Starter handle	1
22	Screw	2	58	Rope	1
23	Spring washer	2	59	Fan case	1
24	Washer	2	60	Screw	4
25	Bearing	1	61	Gasket	1
26	Piston pin	1	62	Screw	2
27	Circlip	1	63	Spring washer	2
28	Piston	1	64	Washer	2
29	Piston ring	1	65	Reed valve plate	1
30	Piston ring	1	66	Reed valve	1
31	Gasket	1	67	Manifold	1
32	Cylinder	1	68	Screw	4
33	Gasket	1	69	Spark plug	1
34	Cylinder head	1	70	High voltage transfer	1
35	Screw	2	71	Screw	1
36	Bolt	2			

EXPLOSIVE VIEW OF WD060310800



GENERATOR PART LIST OF WD060310800

NO	DESCRIPTION	Q'TY	NO	DESCRIPTION	Q'TY
1	Engine assembly	1	26	Stator assembly	1
2	Screw	2	27	Carburetor connecting rod	1
3	Exhaust gasket	1	28	Carburetor spring	1
4	Muffler	1	29	Gasket	1
5	Screw	4	30	Carburetor	1
6	Circlip	2	31	Gasket	1
7	Fuel hose	1	32	Control box panel	1
8	Fuel cock	1	33	Washer	1
9	Gasket	2	34	Screw	2
10	Carrying handle	1	35	Air filter cover	1
11	Washer	2	36	Screw	1
12	Spring washer	2	37	Air filter element	1
13	Screw	2	38	Screw	2
14	Fuel tank	1	39	Screw	4
15	Fuel tank cap	1	40	AC receptacle	1
16	Oil cup	1	41	Earth lead	1
17	Fuel filter	1	42	Control box cover	1
18	Rear frame	1	43	Screw	1
19	Screw	2	44	Screw	1
20	Screw	3	45	Condenser	1
21	Vibration absorber	4	46	Screw	1
22	Screw	1	47	Plate	1
23	Bearing	1	48	AC protector	1
24	Rotor assembly	1	49	Engine switch	1
25	Diode	2	50	Dust proof cap of engine switch	1