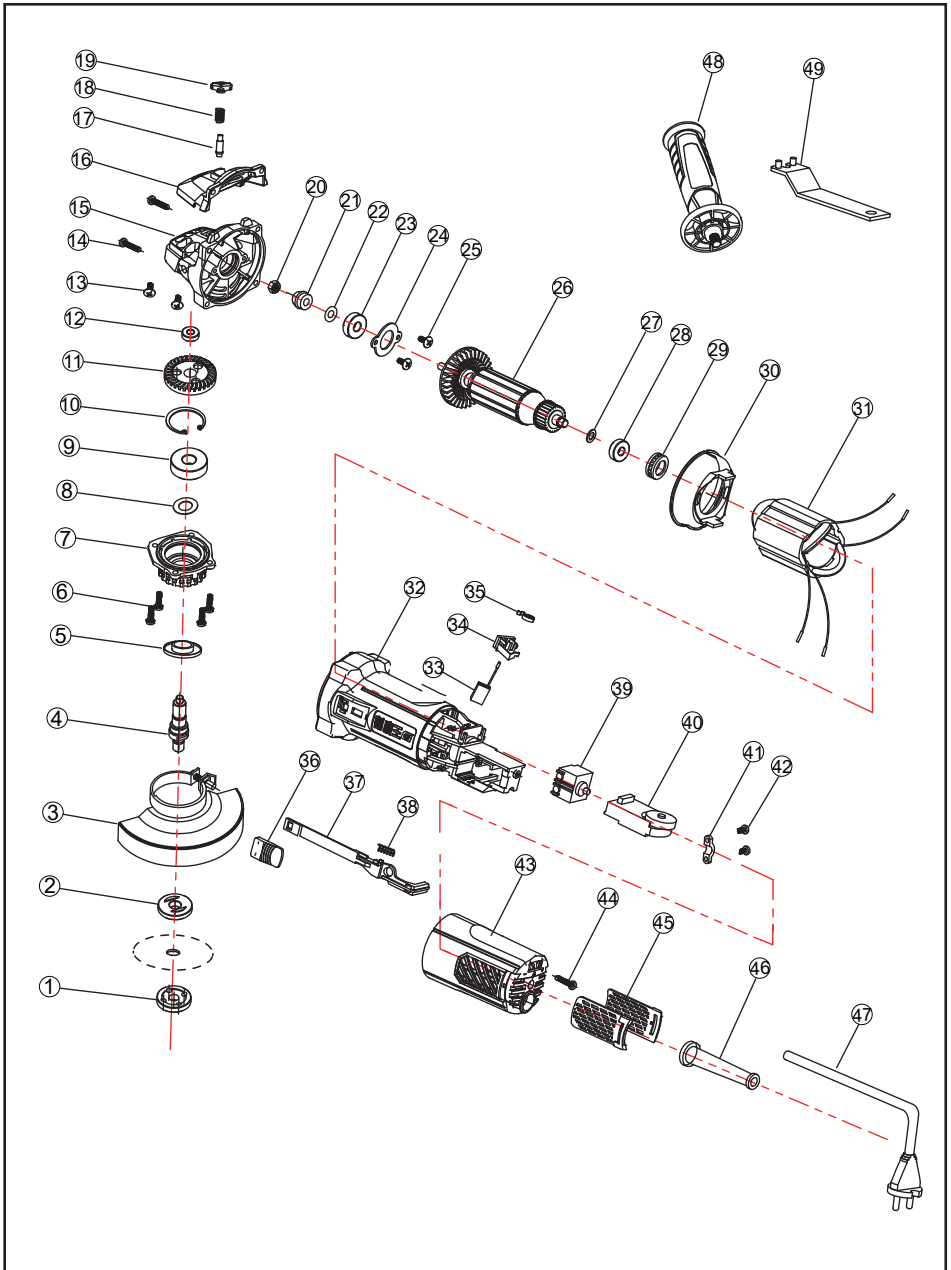


# 850W ANGLE GRINDER

EN

## EXPLOSIVE VIEW OF WD010520850



**PART LIST OF WD010520850**

<b>NO</b>	<b>DESCRIPTION</b>	<b>Q'TY</b>	<b>NO</b>	<b>DESCRIPTION</b>	<b>Q'TY</b>
1	Clamping flange	1	26	Rotor	1
2	Mounting flange	1	27	Washer	1
3	Guard	1	28	Bearing 607	1
4	Spindle	1	29	Bearing sleeve	1
5	Dustproof cover	1	30	Air deflector	1
6	Screw	4	31	Stator	1
7	Gear box cover	1	32	Motor housing	1
8	Dustproof cover	1	33	Carbon brush	2
9	Bearing 6201	1	34	Brush holder	2
10	Circlip	1	35	Coil spring	2
11	Gear	1	36	Switch button	1
12	Bearing 696	1	37	Slider	1
13	Screw	2	38	Spring	1
14	Screw	4	39	Switch	1
15	Gear box	1	40	Variable speed control	1
16	Gear box protector	1	41	Cable clamp	1
17	Spindle lock	1	42	Screw	2
18	Spring	1	43	Motor housing rear cover	1
19	Cap of spindle lock	1	44	Screw	1
20	Nut	1	45	Dust guard	2
21	Pinion	1	46	Cable protector	1
22	Washer	1	47	Cable and plug	1
23	Bearing 608	1	48	Auxiliary handle	1
24	Retainer plate	1	49	Spanner	1
25	Screw	2			



**MADE IN CHINA**  
Copyright © SUZHOU WIDO Machinery Co., Ltd. All rights reserved.

[www.widopt.com](http://www.widopt.com)