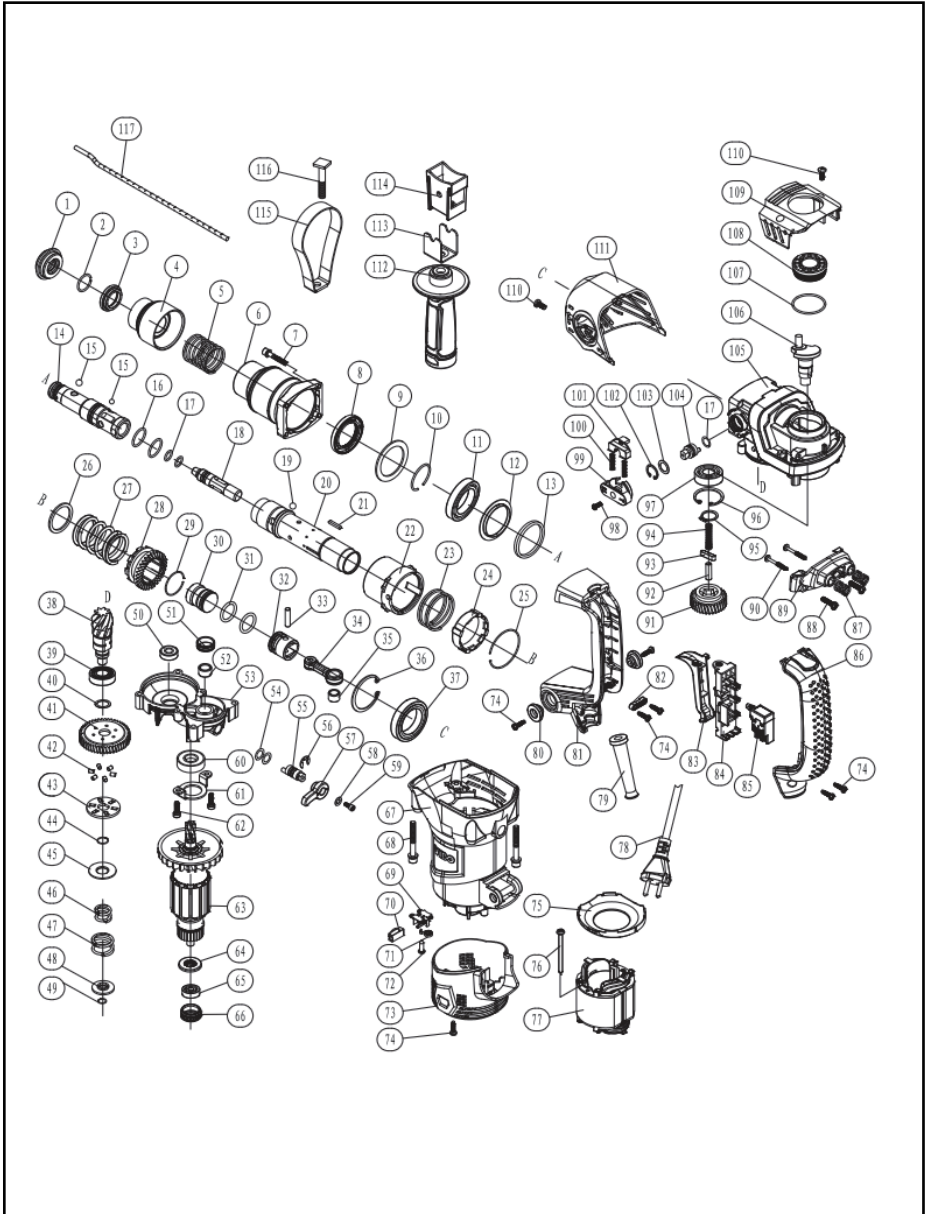


EXPLOSIVE VIEW OF WD011320028



EXPLOSIVE VIEW OF WD011320028

NO	DESCRIPTION	Q'TY	NO	DESCRIPTION	Q'TY
1	Front cover	1	42	Pin roller	6
2	Clip ring	1	43	Clutch disc	1
3	Stop collar	1	44	Clip ring	1
4	Fastening sleeve	1	45	Pressure plate	1
5	Spring	1	46	Spring	1
6	Cylinder case	1	47	Spring	1
7	Bolt	4	48	Pressure plate	1
8	Oil seal	1	49	Clip ring	1
9	Washer	1	50	Bearing 627	1
10	Clip ring	1	51	Bushing	1
11	Bearing 6907	1	52	Oil bearing	1
12	L shape washer	1	53	Middle cover	1
13	Damping washer	1	54	O-ring	2
14	Rotary sleeve	1	55	Mode selector	1
15	Steel ball	5	56	Circlip	1
16	O-ring	2	57	Mode selector lever	1
17	O-ring	3	58	Washer	1
18	Impact hammer	1	59	Bolt	1
19	Steel ball	3	60	Bearing 6001	1
20	Cylinder	1	61	Pressure plate of bearing	1
21	Flat key	2	62	Screw	2
22	Distance sleeve	1	63	Rotor	1
23	Spring	1	64	Insulation washer	1
24	Stop rotate sleeve	1	65	Bearing 608	1
25	Clip ring	1	66	Bearing sleeve	1
26	Washer	1	67	Housing of motor	1
27	Spring	1	68	Bolt	4
28	Big bevel gear	1	69	Brush holder	2
29	Clip ring	1	70	Carbon brush	2
30	Air hammer	1	71	Disc spring	2
31	O-ring	2	72	Screw	6
32	Piston	1	73	Rear cover of motor	1
33	Piston pin	1	74	Screw	8
34	Connecting rod	1	75	Fan guide	1
35	Oil bearing	1	76	Screw	2
36	Circlip	1	77	Stator	1
37	Oil bearing	1	78	Cable and plug	1
38	Small bevel gear	1	79	Cable protector	1
39	Bearing 6002	1	80	Plastic washer	2
40	Washer	1	81	Handle	1
41	Big gear	1	82	Cable pressure plate	1

EXPLOSIVE VIEW OF WD011320028

NO	DESCRIPTION	Q'TY	NO	DESCRIPTION	Q'TY
83	Switch trigger	1	101	Release button	1
84	Switch support	1	102	Circlip	1
85	Switch	1	103	Washer	1
86	Rear cover of handle	1	104	Knob shaft	1
87	Spring	2	105	Crank case	1
88	Bolt	2	106	Crank shaft	1
89	Damping seat	1	107	O-ring	1
90	Screw	2	108	Grease cap	1
91	Small gear	1	109	Upper cover of crank case	1
92	Shore	1	110	Screw	3
93	Flat key	1	111	Front cover of crank case	1
94	Spring	1	112	Auxiliary handle grip	1
95	Circlip	1	113	Depth gauge holder	1
96	Circlip	1	114	Handle holder	1
97	Bearing 6003	1	115	Band	1
98	Screw	1	116	Square bolt	1
99	Mode selector knob	1	117	Depth gauge	1
100	Spring	2			