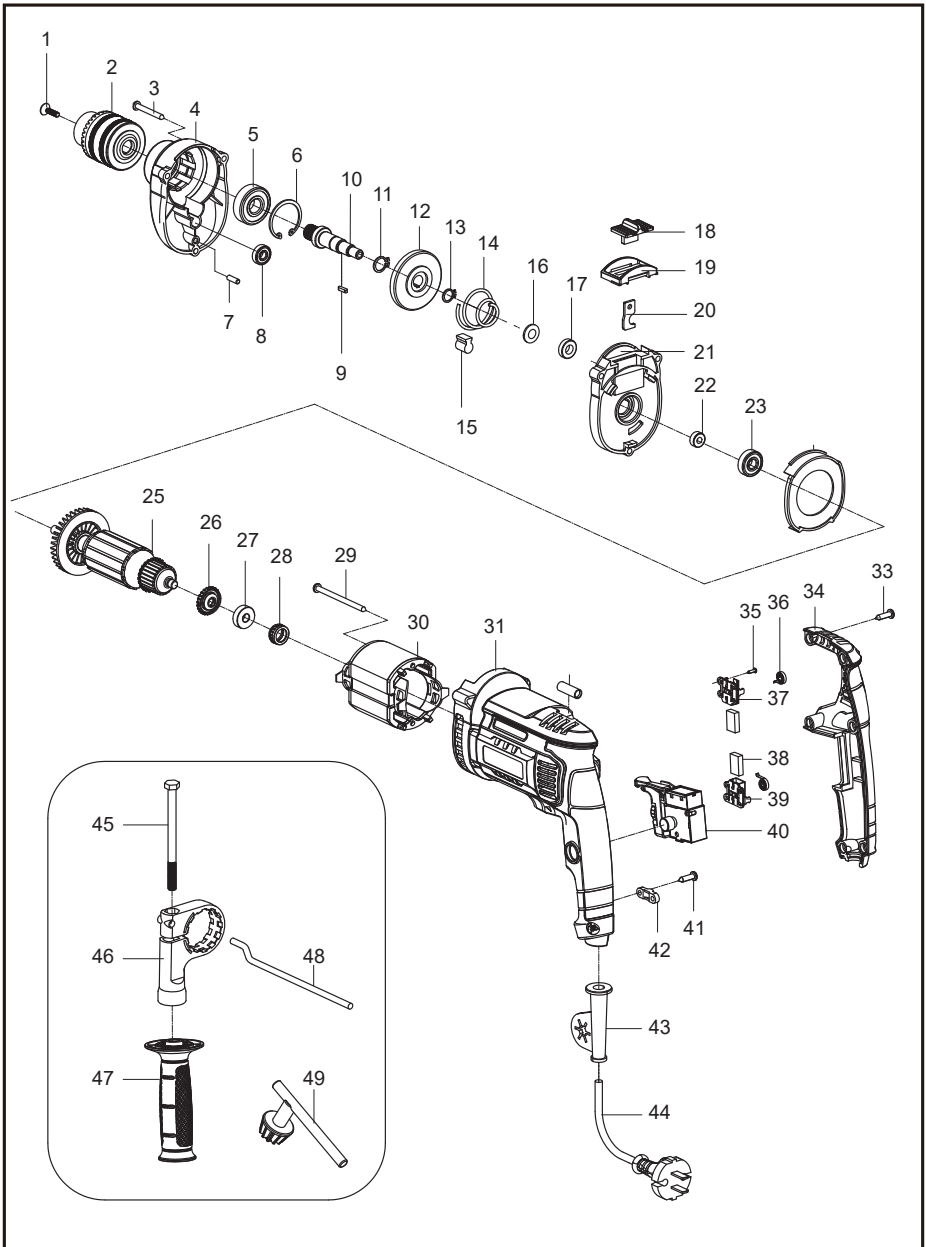


EXPLOSIVE VIEW OF WD010221050



PART LIST OF WD010221050

NO	DESCRIPTION	Q'TY	NO	DESCRIPTION	Q'TY
1	Left head screw	1	26	Dustproof ring	1
2	Chuck	1	27	Bearing 607	1
3	Screw	3	28	Bearing sleeve	1
4	Gear case	1	29	Screw	2
5	Bearing 6201	1	30	Stator	1
6	Circlip	1	31	Housing	1
7	Pin	1	32	Level bubble	1
8	Bearing 696	1	33	Screw	6
9	Woodruff key	1	34	Handle cover	1
10	Output spindle	1	35	Screw	4
11	Circlip	1	36	Coil spring	2
12	Gear	1	37	Left brush holder	1
13	Circlip	1	38	Carbon brush	2
14	Spring	1	39	Right brush holder	1
15	Wool block	2	40	Switch	1
16	Washer	1	41	Screw	2
17	Bearing 688	1	42	Cable clamp	1
18	Impact action selector	1	43	Cable protector	1
19	Selector holder	1	44	Cable and plug	1
20	Shift plate of impact action	1	45	Bolt	1
21	Support	1	46	Clamping holder	1
22	Oil deflector	1	47	Auxiliary handle	1
23	Bearing 608	1	48	Depth gauge	1
24	Fan baffle	1	49	Chuck key	1
25	Rotor	1			