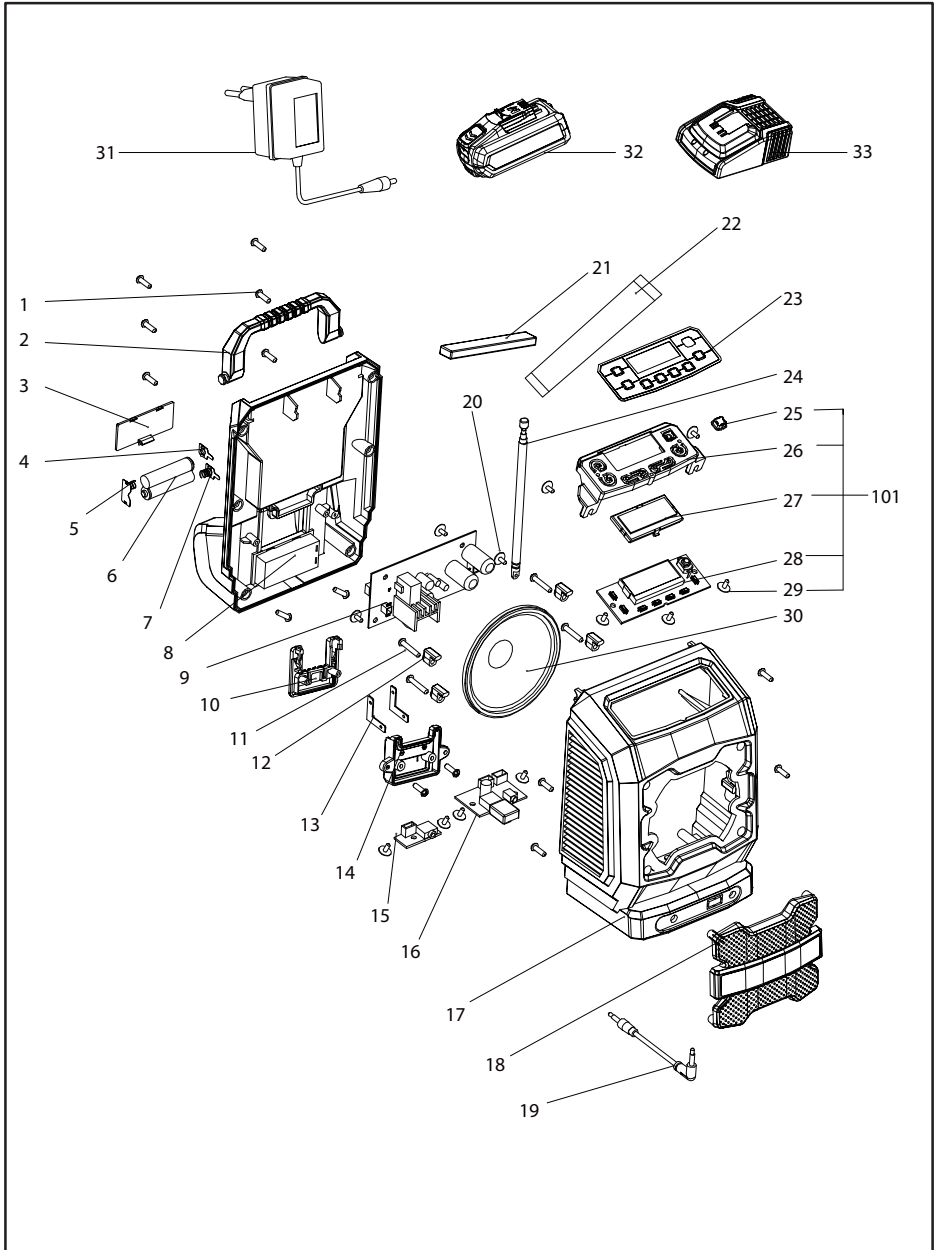


EXPLOSIVE VIEW OF WD046710180



PART LIST OF WD046710180

NO	DESCRIPTION	Q'TY	NO	DESCRIPTION	Q'TY
1	Screw	14	18	Mesh enclosure	1
2	Handle	1	19	Audio frequency wire	1
3	Battery cover	1	20	Screw	8
4	Positive plate	1	21	Magnet antenna	1
5	Positive and negative plate	1	22	PCC flat row line	1
6	Battery	2	23	Button in the film	1
7	Negative plate	1	24	Telescopic antenna	1
8	Back housing	1	25	On/off switch cap	1
9	PCB	1	26	Holder	1
10	Terminal cover	1	27	Panel	1
11	Screw	4	28	PCB	1
12	Pressing plate	4	29	Screw	4
13	Terminal pin	2	30	Speaker	1
14	Terminal seat	1	31	AC power adaptor	1
15	AUX PCB	1	32	Battery	1
16	UBS PCB	1	33	Charger	1
17	Front housing	1			