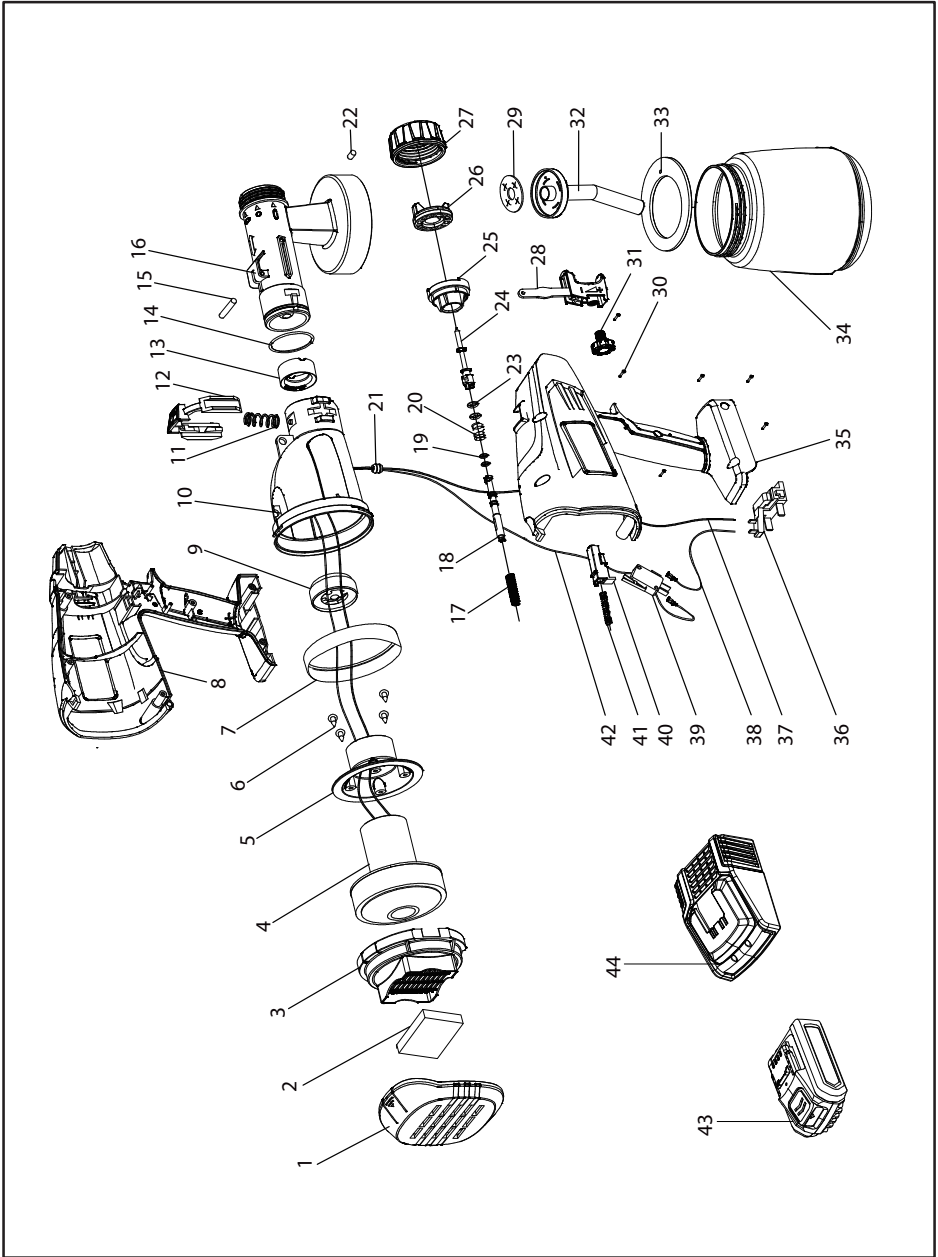


EXPLOSIVE VIEW OF WD041510180



PART LIST OF WD041510180

NO	DESCRIPTION	Q'TY	NO	DESCRIPTION	Q'TY
1	Air filter cover	1	23	O-ring	2
2	Filter net	1	24	Nozzle needle	1
3	Filter net holder	1	25	Nozzle	1
4	Motor assembly	1	26	Air cap	1
5	Motor shield	1	27	Union nut	1
6	Screw	4	28	Trigger	1
7	Seal ring	1	29	PE seal washer	1
8	Left housing	1	30	Screw	6
9	Check valve assembly	1	31	Dosage adjusting knob	1
10	Motor housing	1	32	Suction tube	1
11	Spring	2	33	PE seal washer	1
12	Quick release button	1	34	Fluid container	1
13	Baffle	1	35	Right housing	1
14	O-ring	1	36	Terminal	1
15	Pin	1	37	Inner wire	1
16	Gun rack	1	38	Inner wire	1
17	Spring	1	39	Switch	1
18	Connecting rod	1	40	Push rod of switch	1
19	O-ring	2	41	Spring	1
20	Spring	1	42	Inner wire	1
21	Wire rubber guide	1	43	Battery pack	1
22	Plastic plug	1	44	Changer	1