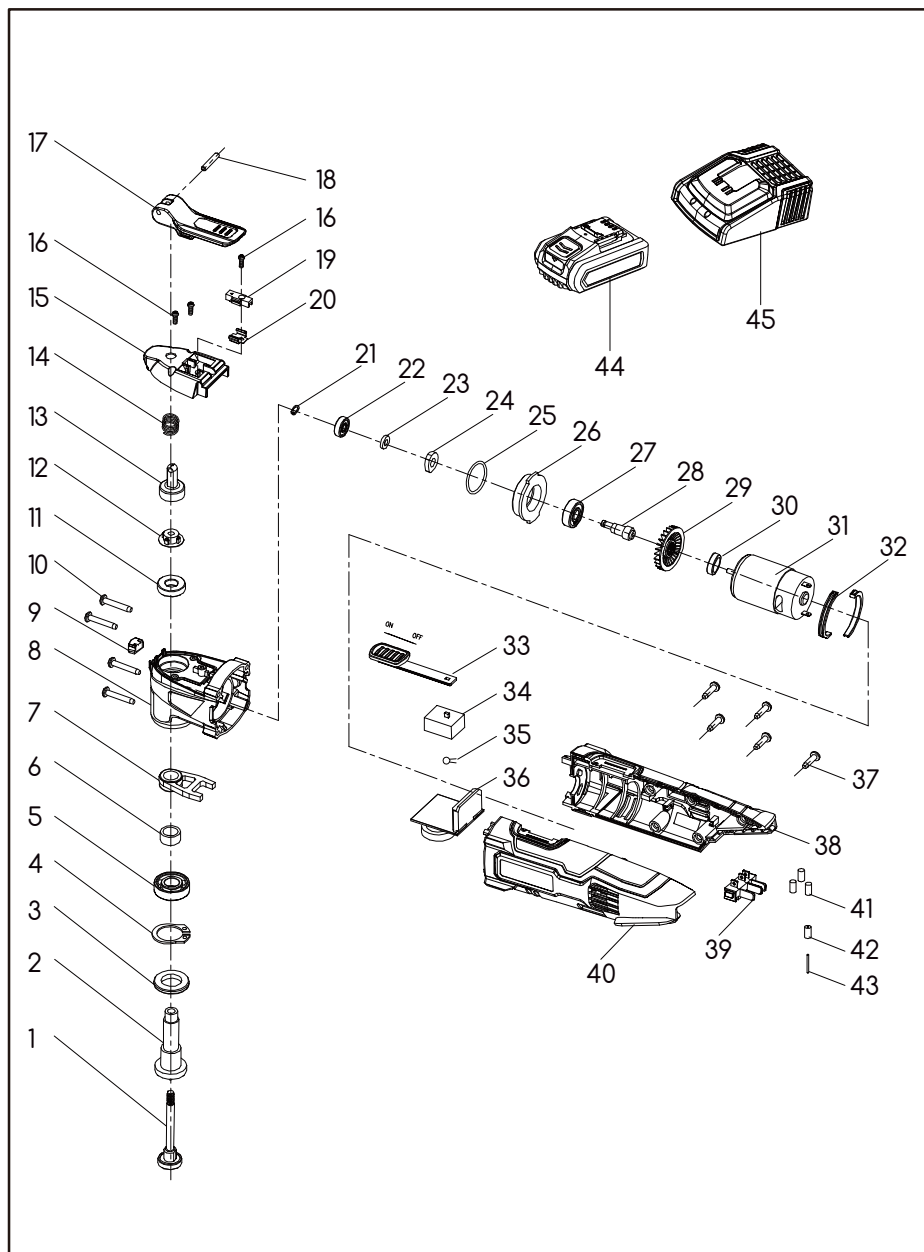


## EXPLOSIVE VIEW OF WD042510180



**PART LIST OF WD042510180**

<b>NO</b>	<b>DESCRIPTION</b>	<b>Q'TY</b>	<b>NO</b>	<b>DESCRIPTION</b>	<b>Q'TY</b>
1	Draw in bolt	1	24	Counterbalance	1
2	Output shaft	1	25	O-ring	1
3	Sealing ring	1	26	Middle cover	1
4	Circlip	1	27	Bearing 608	1
5	Bearing 6001	1	28	Eccentric shaft	1
6	Bush	1	29	Fan	1
7	Shifting fork	1	30	Rubber sleeve	1
8	Head	1	31	Motor	1
9	Lampshade	1	32	Damping ring	2
10	Screw	4	33	Push button	1
11	Bearing 6900	1	34	Switch	1
12	Nut	1	35	Capacitor	1
13	Check lock lever	1	36	Speed controller	1
14	Spring	1	37	Screw	4
15	Head shell cover	1	38	Left housing	1
16	Screw	3	39	Terminal	1
17	Lock lever	1	40	Right housing	1
18	Pin	1	41	Rubber column	3
19	Plastic base	1	42	Rubber wheel	1
20	Lock sheet	1	43	Pin	1
21	Circlip	1	44	Battery pack	1
22	Bearing 625	1	45	Charger	1
23	Plastic washer	1			