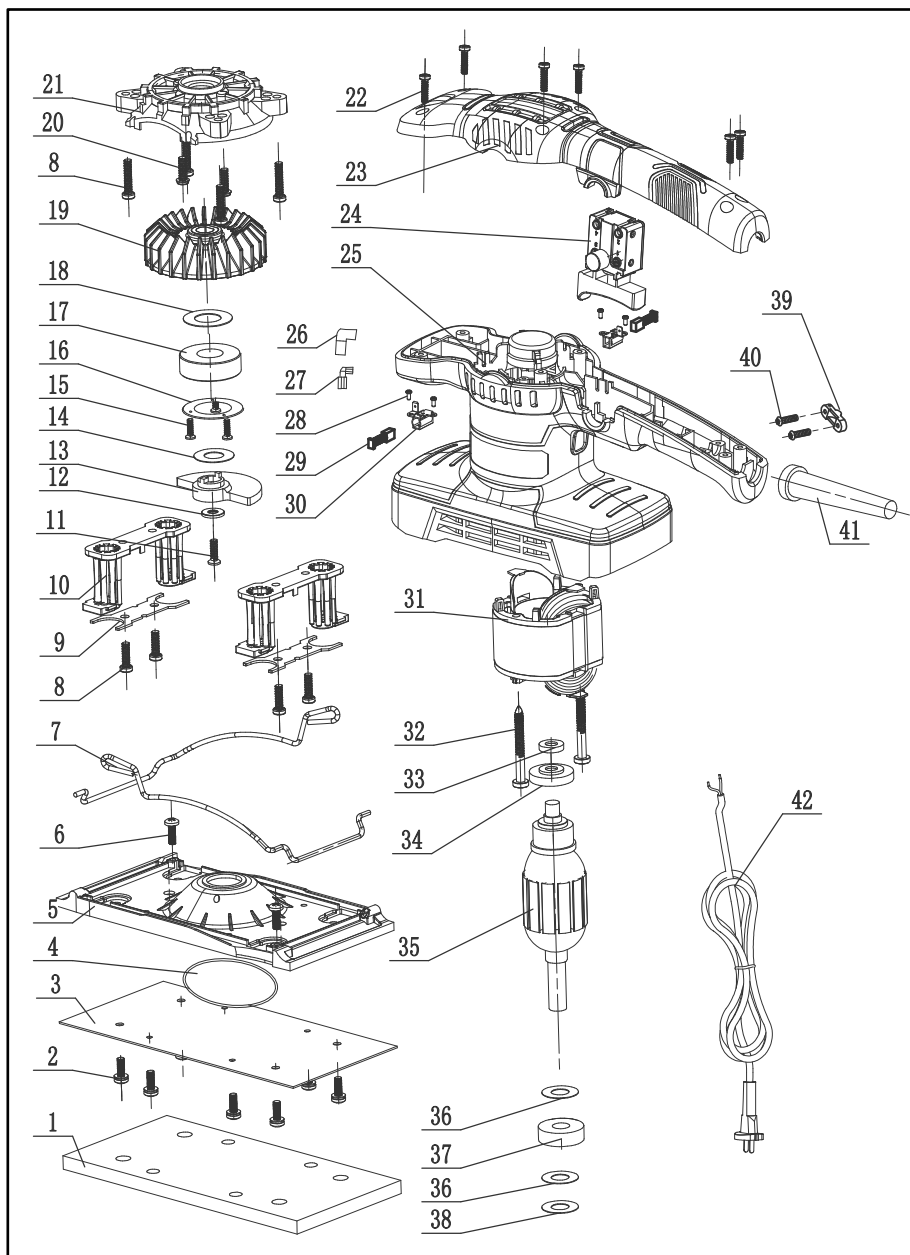


EXPLOSIVE VIEW OF WD010820320



PART LIST OF WD010820320

NO	DESCRIPTION	Q'TY	NO	DESCRIPTION	Q'TY
1	Foam base	1	22	Screw	6
2	Screw	8	23	Upper cover	1
3	Aluminum plate	1	24	Switch	1
4	O ring	1	25	Housing	1
5	Sanding base	1	26	Insulation sleeve	2
6	Screw	2	27	Flat quick-connect terminal	2
7	Sanding sheet clamp	2	28	Screw	4
8	Screw	8	29	Carbon brush	2
9	Pressure plate of base support	2	30	Brush holder	2
10	Base support	2	31	Stator	1
11	Screw	1	32	Screw	2
12	Washer	1	33	Bearing 607	1
13	Balance weight	1	34	Dust ring	1
14	Washer	1	35	Rotor	1
15	Screw	3	36	Washer	2
16	Pressure plate of bearing	1	37	Bearing 6000	1
17	Bearing 6202	1	38	Washer	1
18	Washer	1	39	Cable clamp	1
19	Fan	1	40	Screw	2
20	Screw	2	41	Cable protector	1
21	Support of bearing	1	42	Cable and plug	1