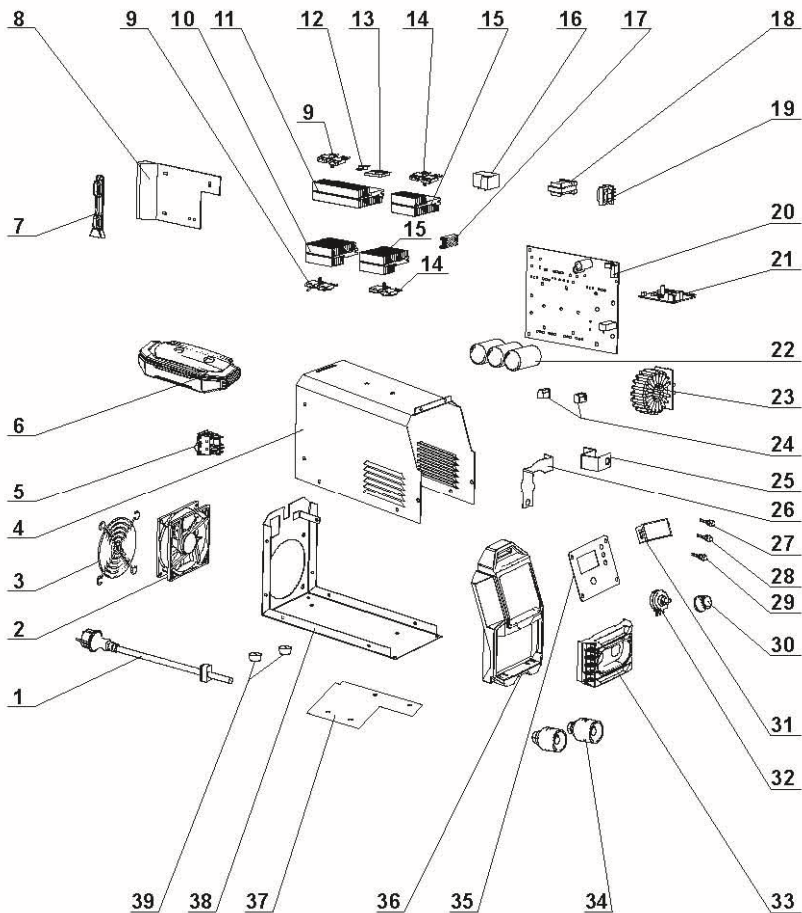


EXPLOSIVE VIEW OF WD060112016



PART LIST OF WD060112016

NO	DESCRIPTION	Q'TY	NO	DESCRIPTION	Q'TY
1	Cable and plug	1	21	Control PCB	1
2	Fan	1	22	Capacitor	3
3	Fan protector	1	23	Output inductance	1
4	Housing	1	24	Supporting bracket	2
5	Power switch	1	25	Current-carrying plate	1
6	Handle	1	26	Current-carrying plate	1
7	Support bar	1	27	Power indicator light	1
8	Air baffle	1	28	Protection indicator light	1
9	IGBT single tube	4	29	Fault indicator light	1
10	Radiator	1	30	Current selector knob	1
11	Radiator	1	31	Digital display instrument	1
12	Temperature protector	1	32	Potentiometer	1
13	Bridge rectifiers	1	33	Ventilating board	1
14	Fast recovery diode	4	34	Quick connector	2
15	Radiator	2	35	Face plate	1
16	Relay	1	36	Front cover	1
17	Radiator	1	37	Insulation plate	1
18	Transformer	1	38	Base plate	1
19	Transformer	1	39	Foot pad	2
20	Main PCB	1			