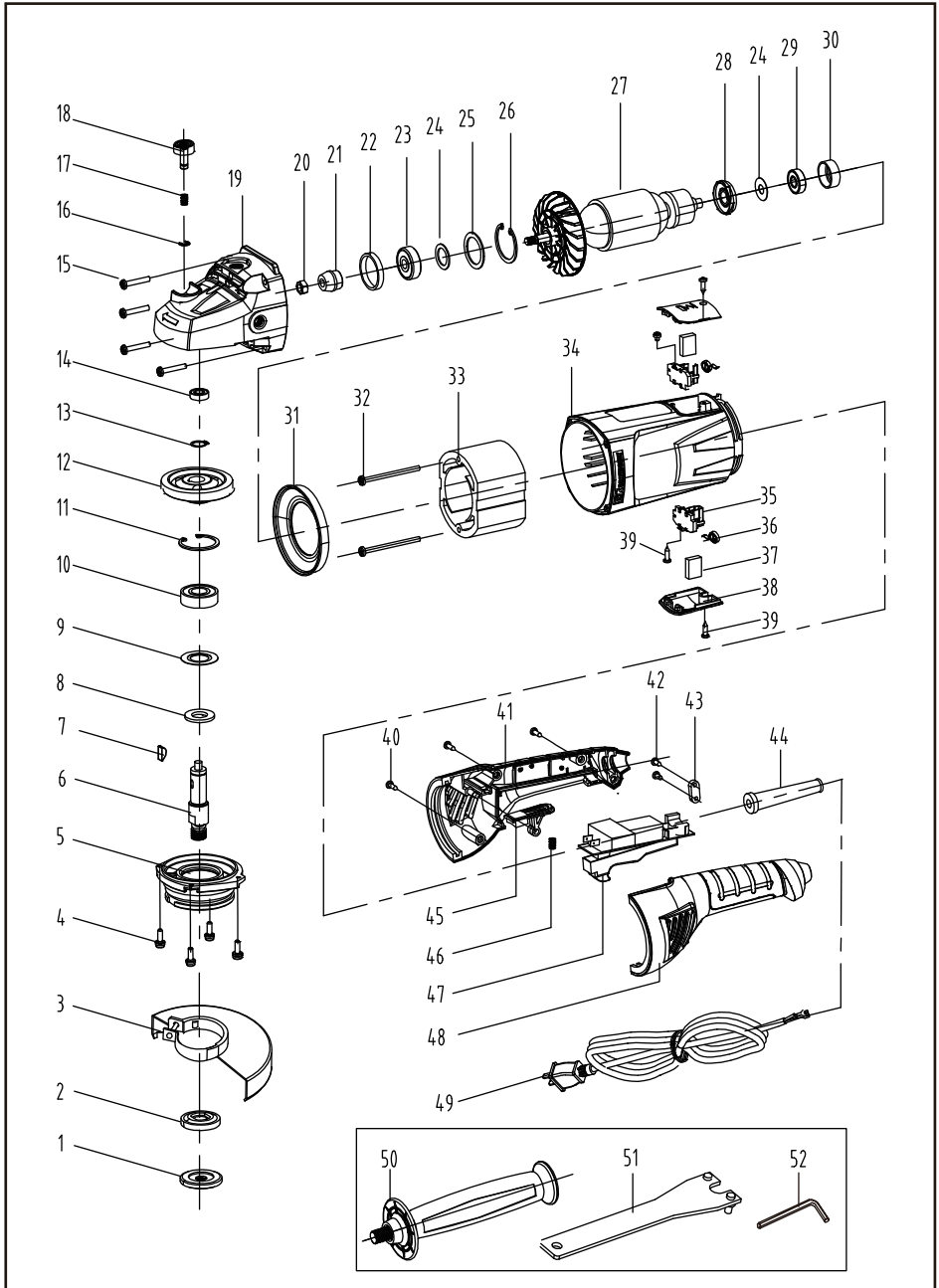


2600W ANGLE GRINDER

EN

EXPLOSIVE VIEW OF WD010512600



PART LIST OF WD010512600

NO	DESCRIPTION	Q'TY	NO	DESCRIPTION	Q'TY
1	Clamping flange	1	27	Rotor	1
2	Mounting flange	1	28	Dustproof ring	1
3	Guard	1	29	Bearing 6100	1
4	Screw	4	30	Bearing sleeve	1
5	Gear case cover	1	31	Air deflector	1
6	Output shaft	1	32	Screw	2
7	Semi-circular key	1	33	Stator	1
8	Wool felt seal ring	1	34	Motor housing	1
9	Dustproof washer	1	35	Brush holder	2
10	Bearing 6203	1	36	Disc spring	2
11	Circlip	1	37	Carbon brush	2
12	Gear	1	38	Cap of carbon brush	2
13	Circlip	1	39	Screw	4
14	Bearing 608	1	40	Screw	4
15	Screw	4	41	Right handle	1
16	Circlip	1	42	Screw	2
17	Spring	1	43	Cable clamp	1
18	Spindle lock	1	44	Cable protector	1
19	Gear case	1	45	Lock button	1
20	Nut	1	46	Spring	1
21	Pinion	1	47	Switch	1
22	Bearing sleeve	1	48	Left handle	1
23	Bearing 6300	1	49	Cable and plug	1
24	Washer	1	50	Auxiliary handle	1
25	Pressure plate of bearing	1	51	Spanner	1
26	Circlip	1	52	Allen key	1