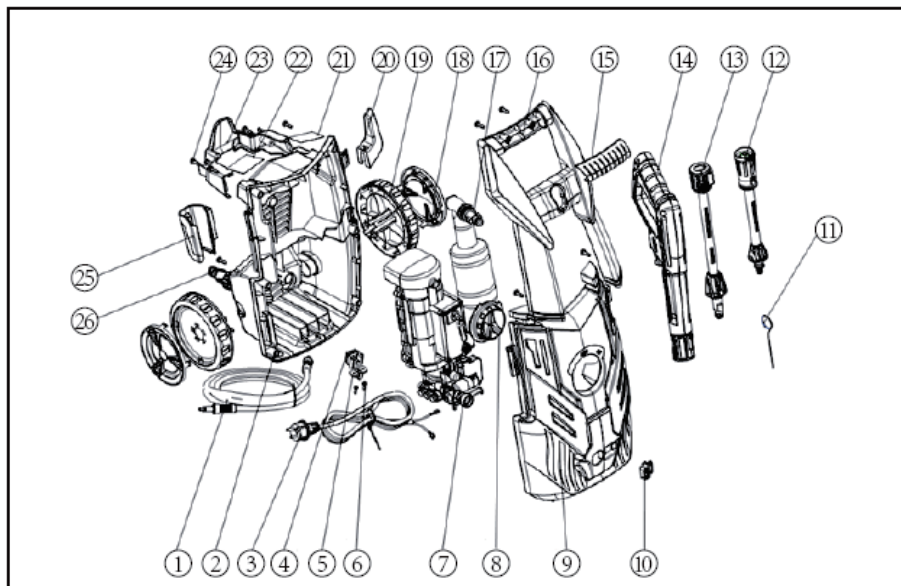


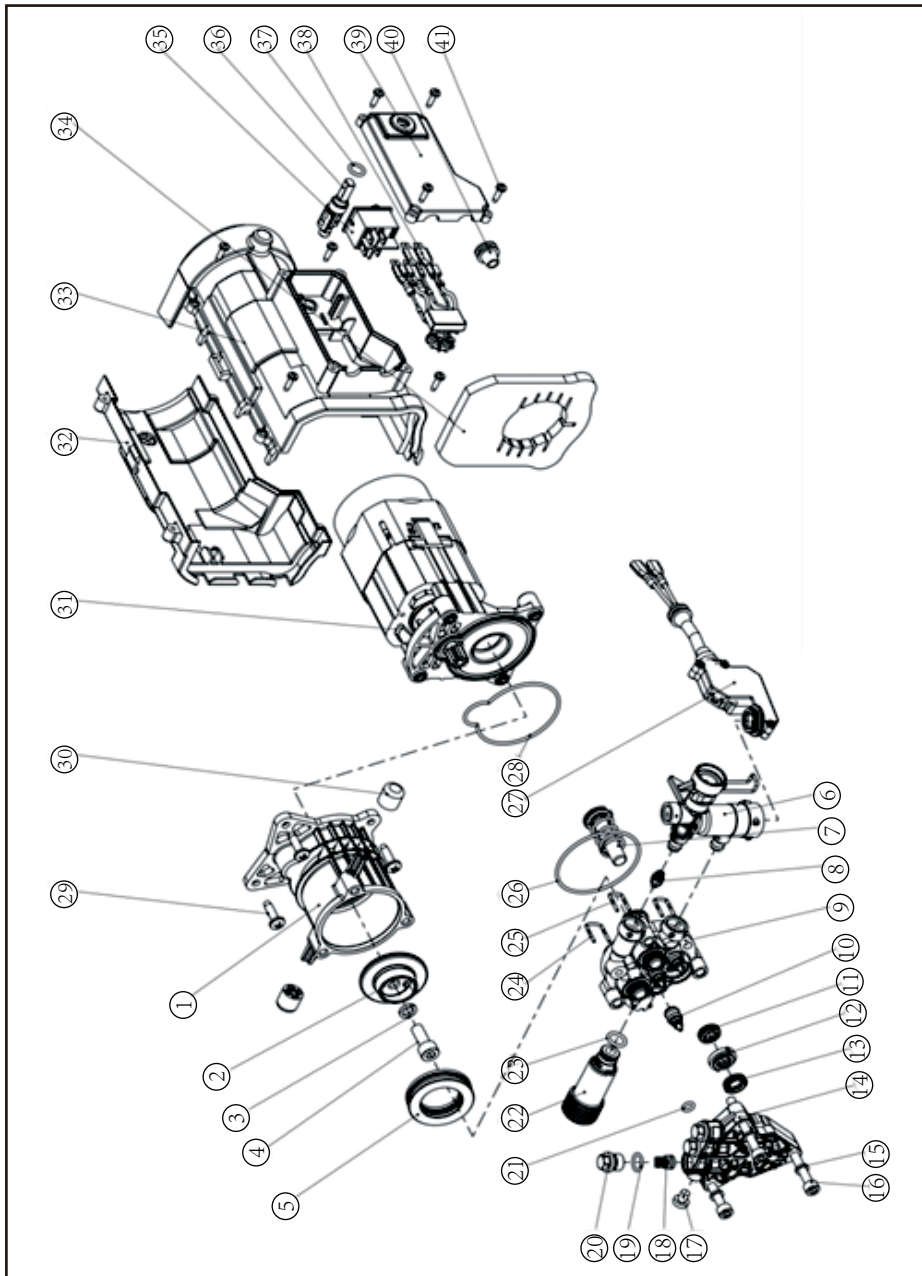
## WASHER EXPLOSIVE VIEW OF WD020421400



## WASHER PART LIST OF WD020421400

NO	DESCRIPTION	Q'TY	NO	DESCRIPTION	Q'TY
1	High pressure hose	1	14	Gun	1
2	Rear housing	1	15	Handle cover	1
3	Cable and plug	1	16	Long handle	1
4	Cable protector	1	17	Detergent bottle	1
5	Cable clamp	1	18	Wheel cover	2
6	Screw	2	19	Wheel	2
7	Motor pump	1	20	Cable holder	1
8	Switch knob	1	21	Warning label	1
9	Front housing	1	22	Nameplate	1
10	Button	1	23	Accessories holder	1
11	Cleaning pin	1	24	Screw	12
12	Spray wand	1	25	Gun holder	1
13	Extension wand	1	26	Water inlet connector	1

## MOTER PUMP EXPLOSIVE VIEW OF WD020421400



**MOTER PUMP PART LIST OF WD020421400**

<b>NO</b>	<b>DESCRIPTION</b>	<b>Q'TY</b>	<b>NO</b>	<b>DESCRIPTION</b>	<b>Q'TY</b>
1	Oil cylinder assy	1	22	Inlet pipe	1
2	Swash plate	1	23	O-ring	1
3	Spring washer	1	24	U pin	1
4	Bolt	1	25	U pin	2
5	Bearing	1	26	O-ring	1
6	Outlet hose assy	1	27	Switch assy	1
7	Plunger assy	3	28	Seal ring	1
8	Back pressure valve assy	1	29	Screw	4
9	Pump body	1	30	Damping ring	2
10	Inlet checking valve assy	3	31	Motor assy	1
11	Plunger oil seal	3	32	Fan cover down	1
12	Oil seal bracket	3	33	Fan cover up	1
13	Oil seal	3	34	Fan cover filter	1
14	Pump cover	1	35	Main switch	1
15	Spring washer	3	36	Switch driving lever	1
16	Bolt	3	37	O-ring	1
17	Bolt	1	38	Capacitor and inductor assy	1
18	Outlet checking valve assy	3	39	Switch cover	1
19	O-ring	3	40	Outlet wire protector	1
20	Checking valve cap	3	41	Screw	8
21	O-ring	1			