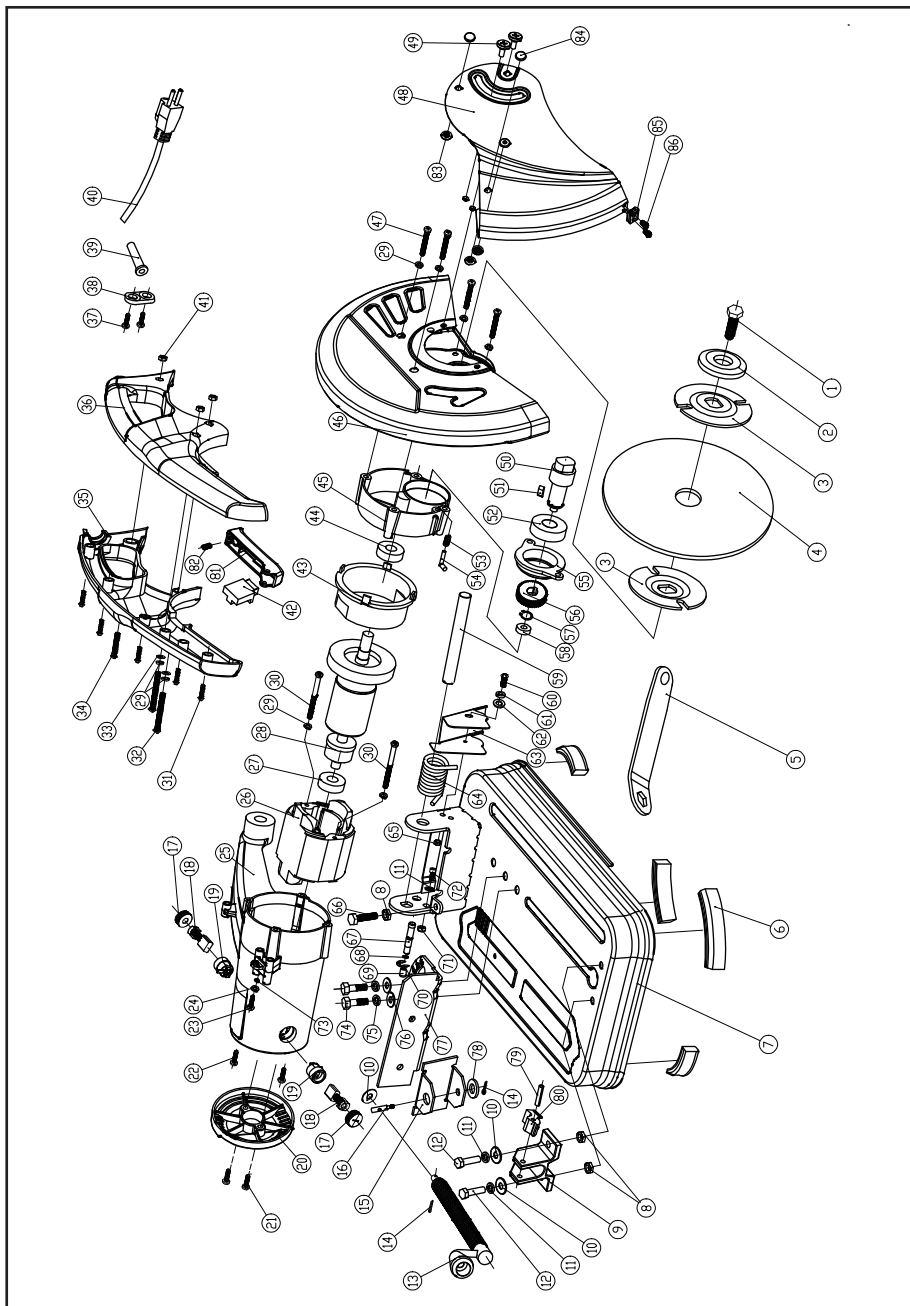


## EXPLOSIVE VIEW OF WD030312000



## PART LIST OF WD030312000

NO	DESCRIPTION	Q'TY	NO	DESCRIPTION	Q'TY
1	Bolt	1	41	Nut	3
2	Washer	1	42	Switch	1
3	Flange	2	43	Fan baffle	1
4	Cutting disc	1	44	Bearing	1
5	Spanner	1	45	Gear case	1
6	Rubber foot	4	46	Fixed guard	1
7	Base plate	1	47	Screw	4
8	Nut	3	48	Moving guard	1
9	Clamp nut base	1	49	Screw	2
10	Washer	3	50	Spindle	1
11	Spring washer	3	51	Woodruff key	1
12	Bolt	2	52	Bearing	1
13	Clamp screw rod	1	53	Spring	1
14	Split pin	2	54	Flange lock pin	1
15	Clamp board	1	55	Gear case cover	1
16	Thread pin	1	56	Gear	1
17	Cap of carbon brush	2	57	Circlip	1
18	Carbon brush	2	58	Bearing	1
19	Brush holder	2	59	Axle pin	1
20	Rear cover of housing	1	60	Screw	1
21	Screw	2	61	Spring washer	1
22	Screw	2	62	Washer	1
23	Screw	1	63	Spark guard	1
24	Spring washer	1	64	Torsional spring	1
25	Arm and housing	1	65	Nut	1
26	Stator	1	66	Bolt	1
27	Bearing	1	67	Shaft lock	1
28	Rotor	1	68	O-ring	1
29	Spring washer	8	69	Rubber sleeve for shaft lock	1
30	Screw	2	70	Circlip	1
31	Screw	6	71	Nut	1
32	Screw	2	72	Hexagon socket bolt	1
33	Washer	2	73	Dental pad	1
34	Screw	1	74	Bolt	2
35	Left handle	1	75	Spring washer	2
36	Right handle	1	76	Washer	2
37	Screw	2	77	Angle stop	1
38	Cable clamp	1	78	Washer	1
39	Cable protector	1	79	Elastic cylindrical pin	1
40	Cable and plug	1	80	Quick-release nut	1

81	Switch trigger	1	84	Protective locking catch	3
82	Spring	1	85	Protective block	1
83	Protective locking pin	3	86	Screw	2