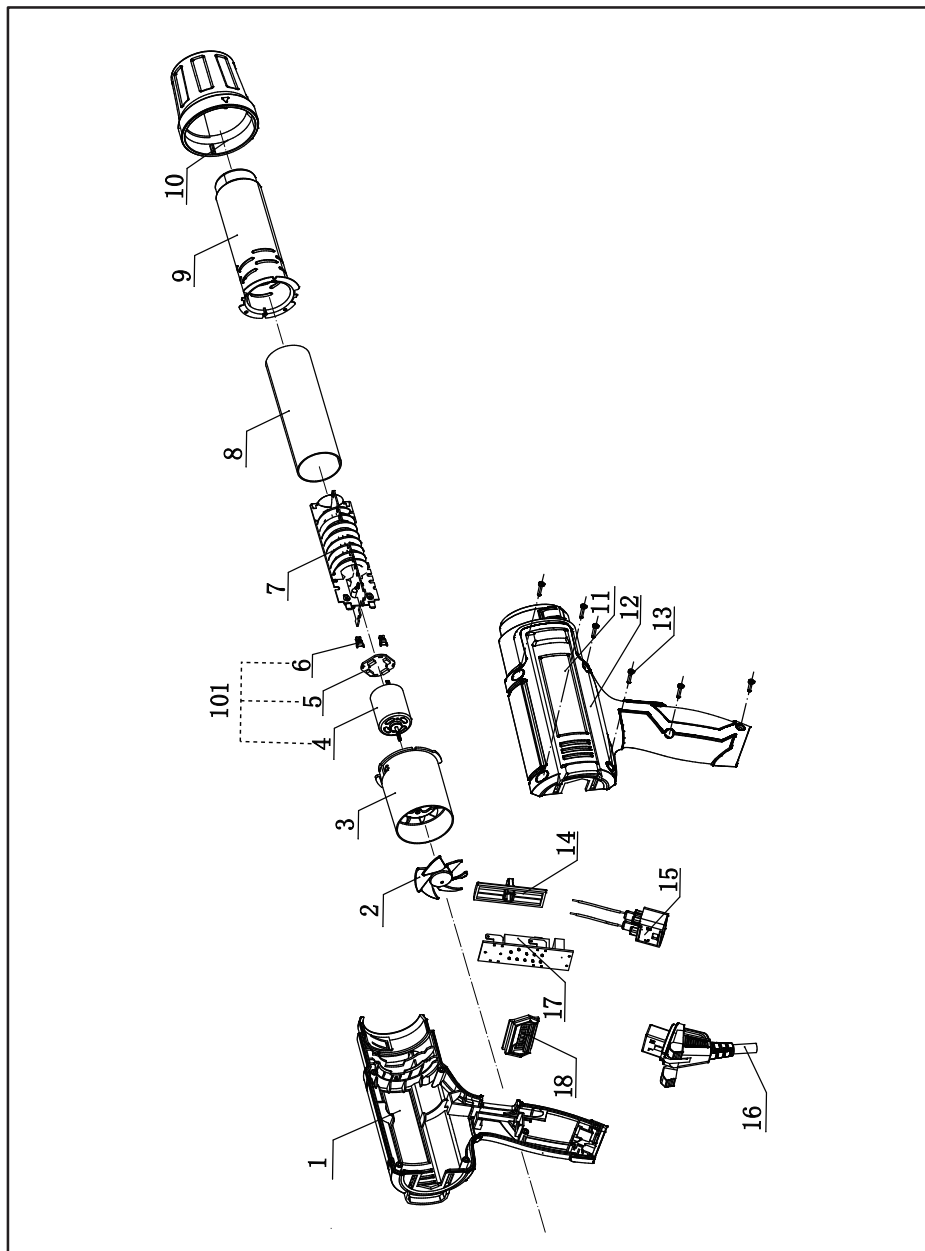


EXPLOSIVE VIEW OF WD050132000



PART LIST OF WD050132000

NO	DESCRIPTION	Q'TY	NO	DESCRIPTION	Q'TY
1	Left housing	1	10	Protective cover	1
2	Fan	1	11	Label	1
3	Motor fixed seat	1	12	Right housing	1
4	Motor	1	13	Screw	6
5	PCB	1	14	Switch Plate	1
6	U connector for PCB	2	15	Cordset socket	1
7	Heater	1	16	Cable and plug	1
8	Mica paper	1	17	Switch	1
9	Air pipe	1	18	Logo cover	1